

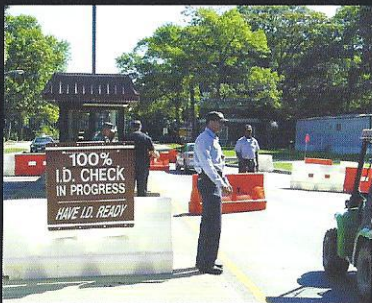
# Security and Defense

"Exceptionally Mobile for Rapid Deployment"



## PERFORMANCE:

- **Creates Light-Weight Heavy-Duty Barricade System**
- **Leverages modular design for stacked walls**
- **Offers secure stabilization system to accommodate fencing, signs, and lights**
- **Provides security in areas threatened or devastated by war or natural disasters**
- **Increases mobility by utilizing forklift holes**



Security Check Points



## DESIGNED WITH YOUR SAFETY IN MIND

The Yodock family pioneered the water ballastable barrier, waterfront barrier, traffic channelizer and security market. They recognized the need for portable site security available for immediate deployment. The Yodock Wall Company, Inc. provides barricades that are tested to withstand heavy firearms, hand gun and bomb blast protection. The Yodock Wall Company, Inc. maintains leadership in the high-threat security barricading systems and continues to maintain an innovative edge for new product development.

## APPLICATIONS INCLUDE:

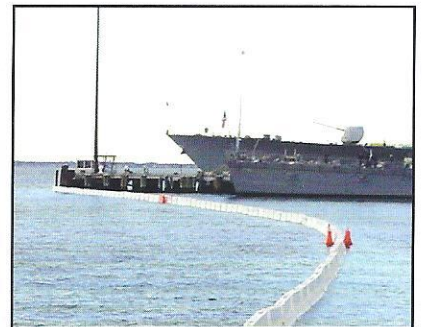
- Security or Perimeter Protection
- Bomb Blast Mitigation
- Vehicular or Pedestrian Channelization
- Security Check Points - Chicane
- Crowd Control

## SERVICEABILITY:

- Available Domestic and International
- Designed to meet on and off highway standards
- Easy access to draining plugs for rapid drainage
- All hardware is the same size for Yodock® model 2001 and 2001M
- Custom colors suited to your specific area of operation



Bomb Blast Protection



Formidable Line of Demarcation



Land/Waterside Security

  
**YODOCK®**

\*Yodock® Traffic Control System meets the National Cooperative Highway Research Program Report 350 for Channelizer, Road Closure, Barrier Wall, and Temporary Sign Support. Accessories may be needed to meet accepted product categories. \*Customer is responsible for trailer licensing and insurance.

"Leading the Industry to Assist with Disasters"



# Security and Defense

"Solutions that are practical, economical, timely, and effective"


## WHY YODOCK®?

Unlike most...our barricades are super-rugged heavy-duty with  $\frac{1}{4}$ " wall thickness, compared to  $\frac{1}{8}$ " thick; therefore maintain shape without ballooning when filled with water and heated by the sun.

Using ingenuity...our barricades were designed with an independent lockable coupling device.

Without question...the anticipated life expectancy of Yodock® barricades is 5- 10 years, when compared to 6-12 months.

Always thinking...our barricades are constructed of frangible material for superior safety in the most hostile environments.

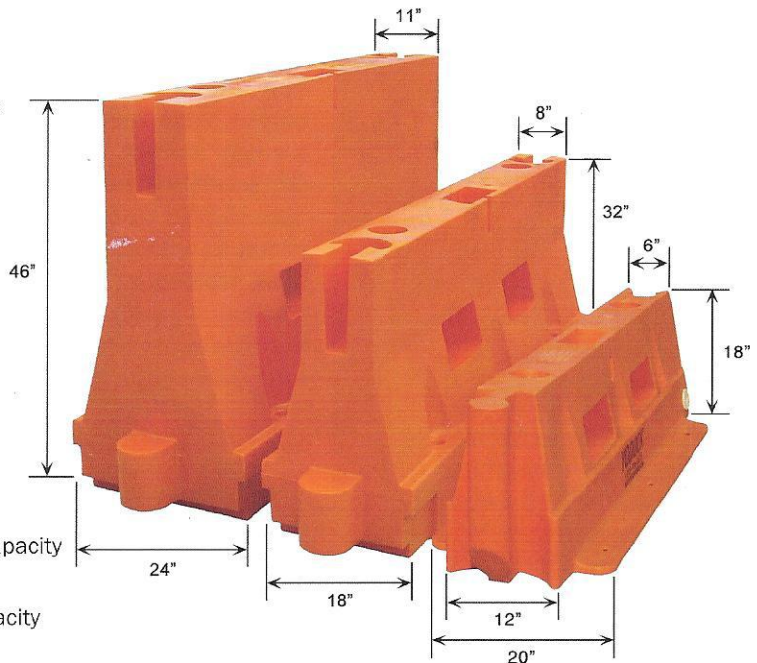
Maintaining loyalty....Proudly Made in America. 

### PRODUCTS AVAILABLE:

- **Yodock® 2001 Barricade**  
130 lbs empty but exceeds 1500 lbs when filled with water- 180 Gallon Capacity
- **Yodock® 2001M Barricade**  
75 lbs empty but exceeds 750 lbs when filled with water - 100 Gallon Capacity
- **Yodock® 2001SL Barricade**  
38 lbs empty but exceeds 330 lbs when filled with water - 40 Gallon Capacity
- **Yodock® ERT 10' Portable Lightweight Trailer**  
Available with (8) Yodock® Model 2001 or (18) Yodock® Model 2001M Barricades
- **Yodock® ERT 14' Portable Lightweight Trailer**  
Available with (12) Yodock® Model 2001 or (24) Yodock® Model 2001M Barricades
- **Yodock® ERT 18' Portable Lightweight Trailer**  
Available with (16) Yodock® Model 2001 or (36) Yodock® Model 2001M Barricades

### YODOCK WALL COMPANY FEDERAL INFORMATION:

GSA Schedule 078  
GSA# 65-07F-0400K  
CAGE Code # 1NBSB  
DUNS# 011306680  
TAX ID# 65-0699527  
SIN 366 12  
NSN:



Custom designed trailers fitted with Yodock® 2001 or 2001M Barricades.

FOR MORE INFORMATION CONTACT:



PATENTED & PATENTS PENDING